

# autobaseTouch

Touch Panel Computer

# autobaseTouch

Touch Panel Computer



**AutoBase**

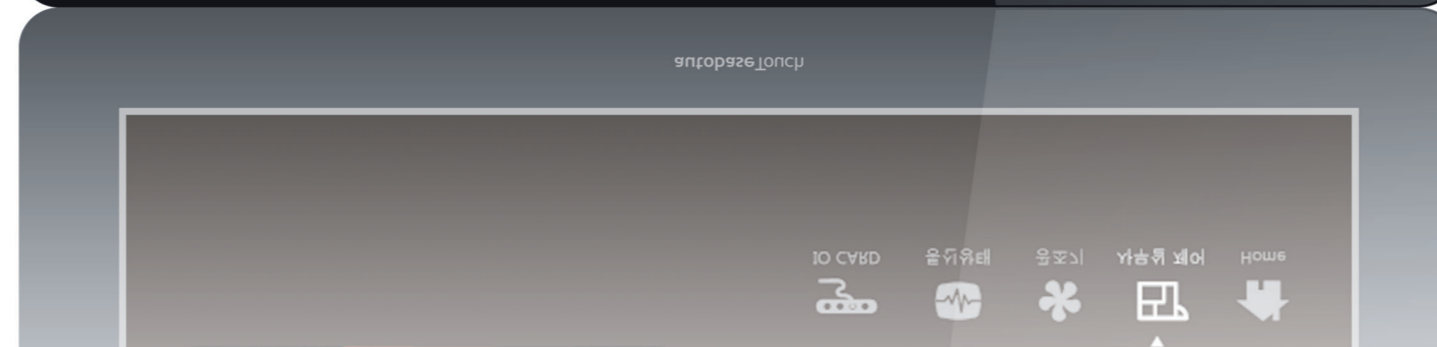
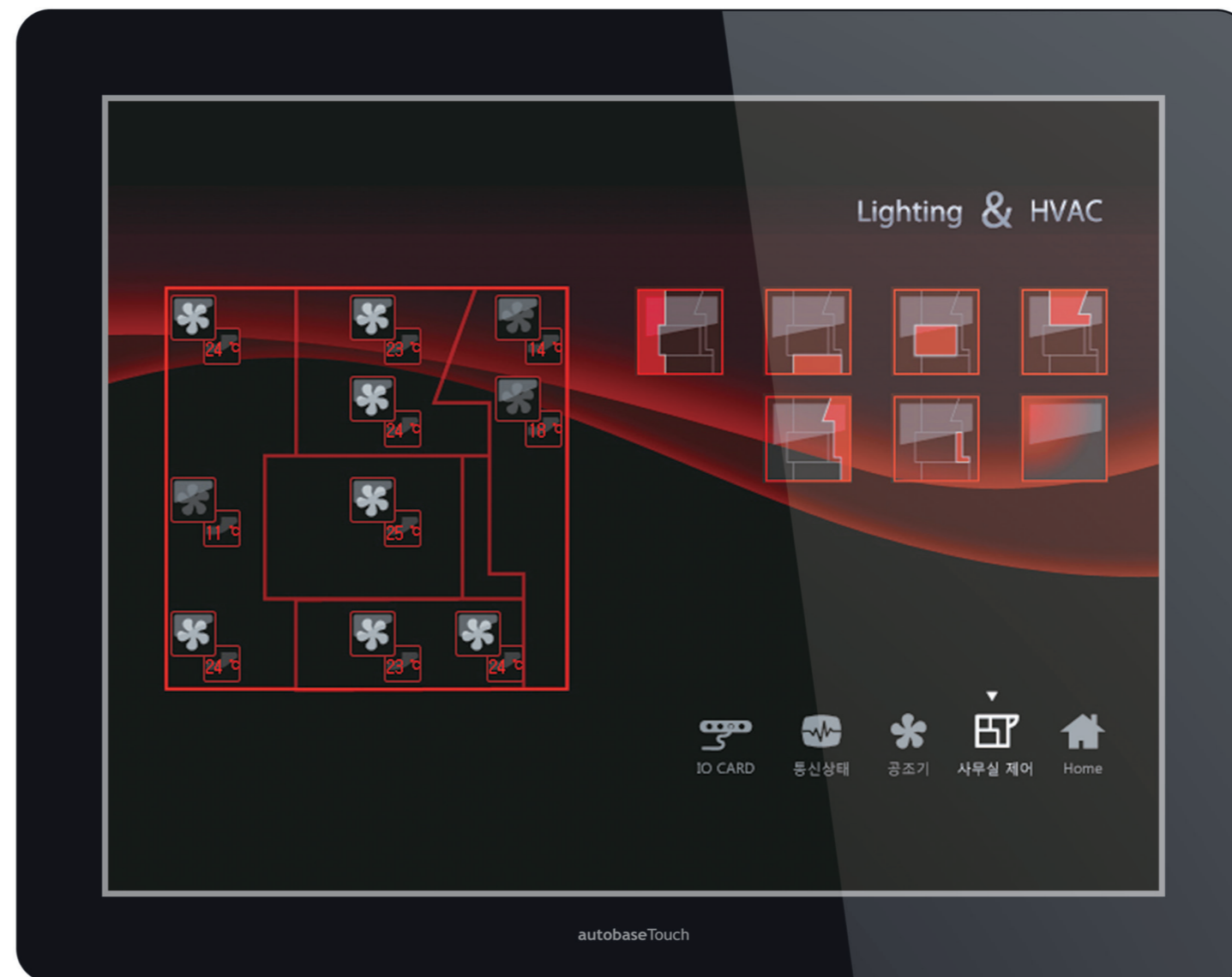
**Address**

1201, Biz Center, SKnTechno Park,  
124, Sagimakgol-ro, Jungwon-gu,  
Seongnam-si, Gyeonggi-do, Korea

**Telephone**

Office : +82.31.776.0800  
Fax : +82.31.776.0802

<http://www.autobase.biz>  
[autobasekr@gmail.com](mailto:autobasekr@gmail.com)





## Cortex-A9 Dual Core 1GHz

The ARM® Cortex®-A9 processor is the power-efficient and popular high performance choice in low power or thermally constrained cost-sensitive devices.

## Windows CE Touch Panel Computer

Windows CE Panel Computers are simpler, generate less heat, and are much more energy efficient. These characteristics can yield more reliable operation in harsh environments. And same development environment as a PC. Programmable in C#/VB.Net or C++ using Microsoft's Visual Studio.

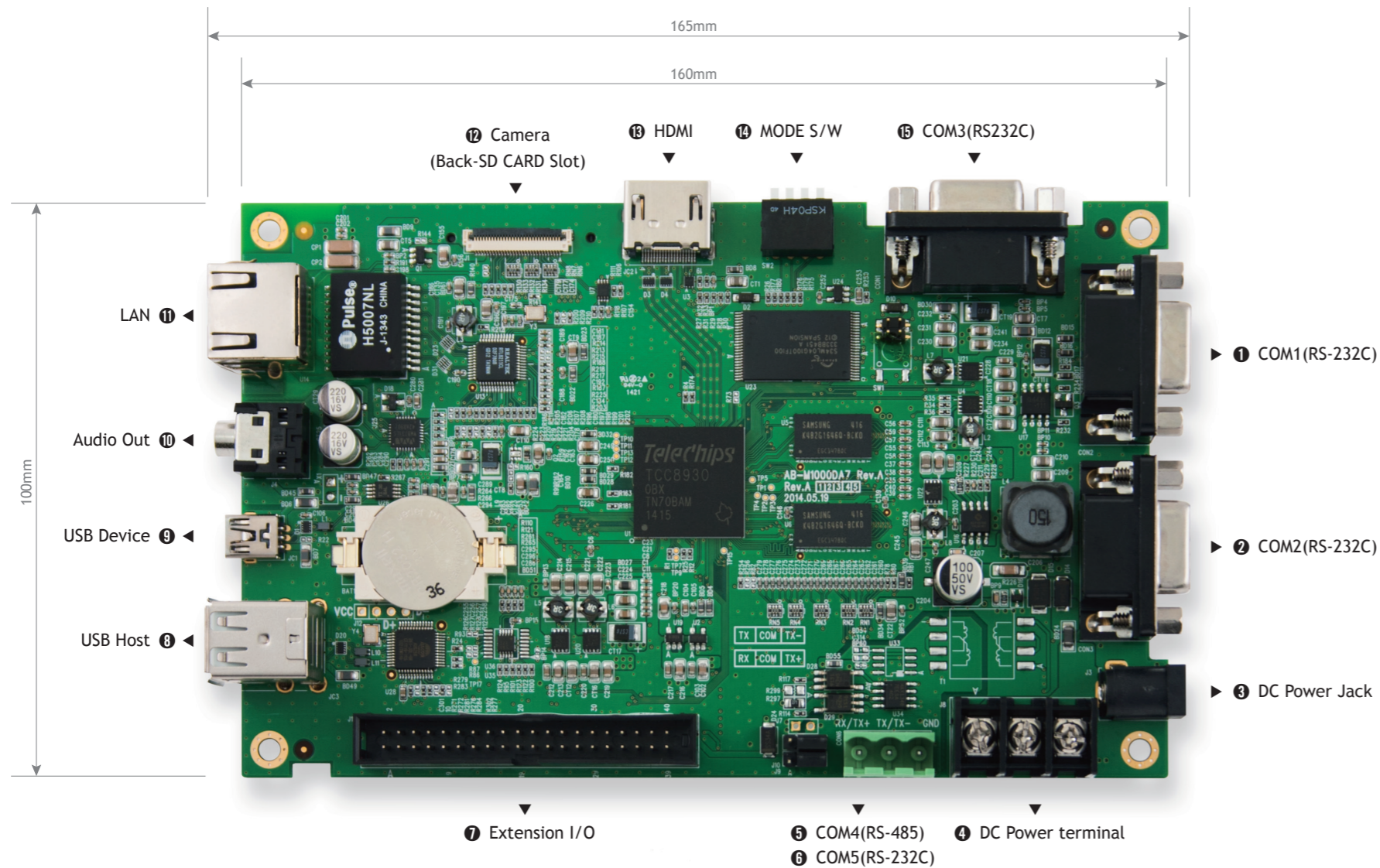
## Attractive Price and Energy Saving

An innovative manufacturing process of Autotouch, Inc. is possible to supply high performance panel computers at the best Price. And our energy efficient touch panel computers will reduce your system maintenance cost.

# ATS-M1000DA Series Main Board

Autobase Touch ATS-M1000DA Series touch panel computers commonly use AB-M1000DA7 mainboard. Low-power, low-heat mainboard AB-M1000DA7 has excellent extensibility and reliability.

AB-M1000DA7 Specifications	
CPU	Cortex-A9 Dual 1,000MHz
Memory	DRAM 512MB DDR3, NAND Flash 512MB
Serial Port	4 Ports (RS-232C 3 Ports, RS-485/232C 1 Port)
USB	USB Host 2 Ports, USB Device 1 Port
HDMI	1 Port
Extension Port	GPIO(16EA), PWM(2ch), A/D Converter(4ch)
Audio	Speaker embedded, Stereo audio output(ø3.5)
Ethernet	1 Port (Gigabit)
SD Card	1 Slot (up to 32GB)
Touch Screen	4-wire resistive
Voltage	DC 12~24V
Power consumption	5W
Operating Temperature	-10~70°C
OS	Windows Compact 7 (CE7)
Dimension(mm)	165(H)*102.2(V)*21.5(D)
Manufacturer	Autobase, Inc. Korea

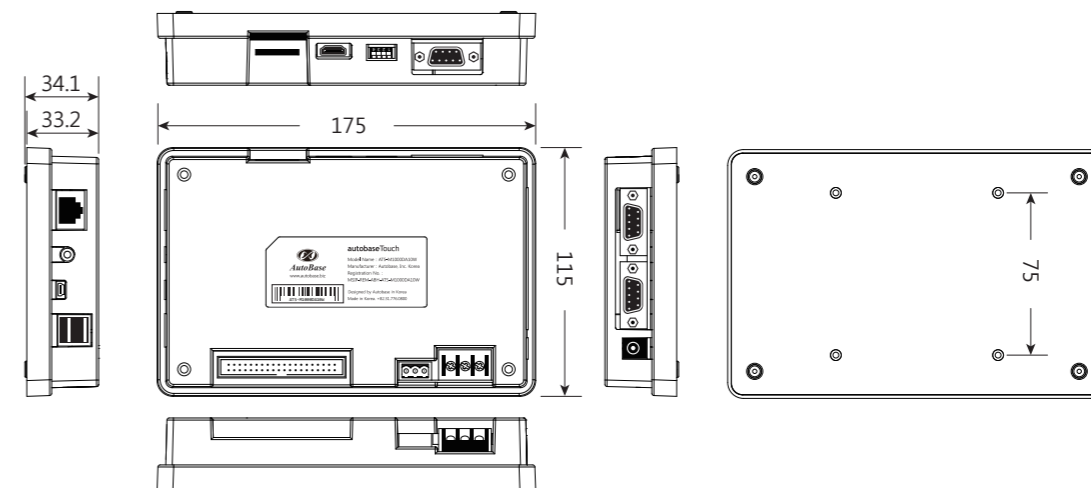


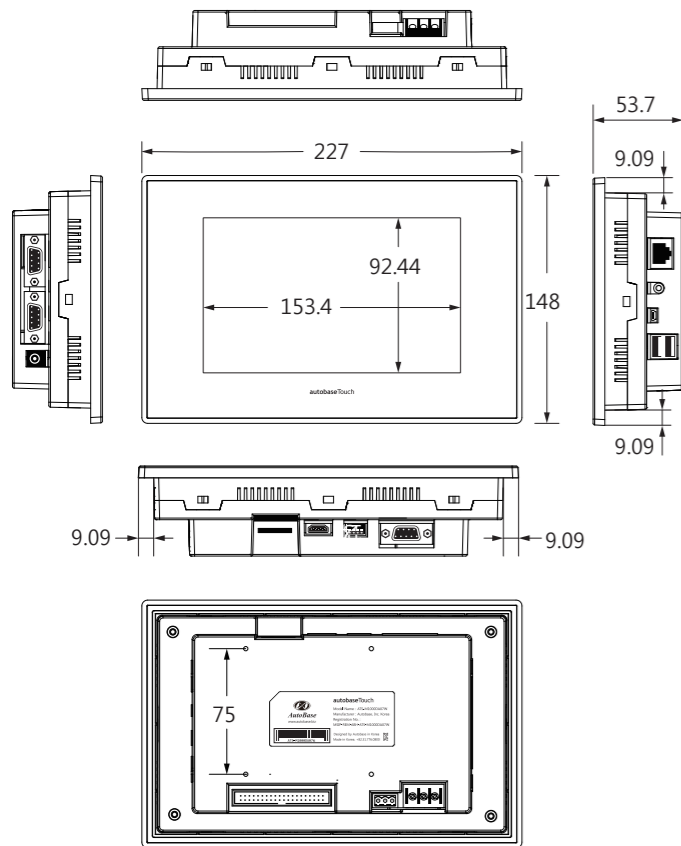
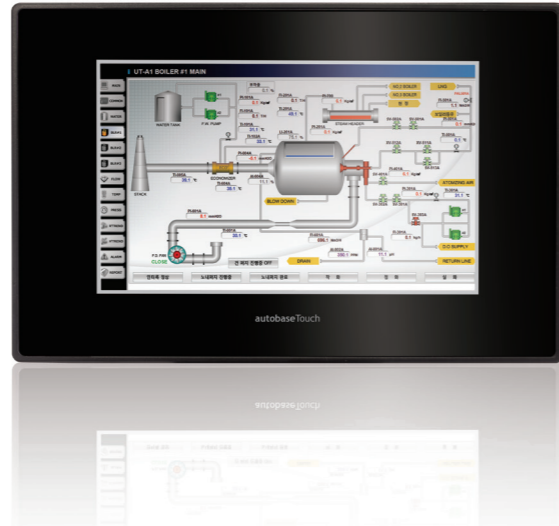
## Related Products



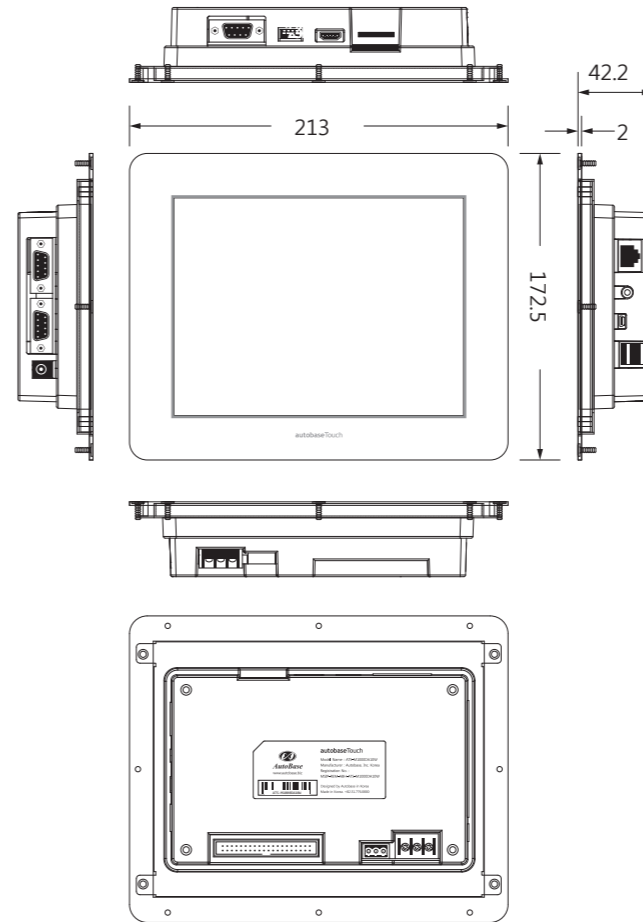
### ATS-M1000DA7H Embedded Computer

ATS-M1000DA7H is a compact size computer for embedded system. A small, lightweight computer is useful for a variety of purposes.



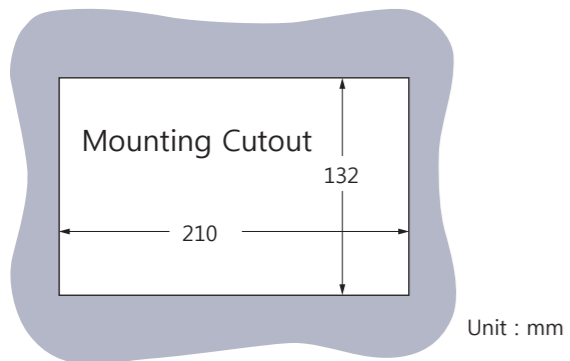


Specifications	
Display	7inch(800×480)
CPU	Cortex-A9 Dual 1,000MHz
Memory	DRAM 512MB DDR3, NAND Flash 512MB
Serial Port	4 Ports(RS-232C 3 Ports, RS-485/232C 1 Port)
USB	USB Host 2 Ports, USB Device 1 Port
HDMI	1 Port
Extension Port	GPIO(16EA), PWM(2ch), A/D Converter(4ch)
Audio	Speaker embedded, Stereo audio output(ø3.5)
Ethernet	1 Port (Gigabit)
SD Card	1 Slot (up to 32GB)
Touch Screen	4-wire resistive
Voltage	DC 9~24V
Power consumption	7W
Operating Temperature	-10~70°C
Dimension(mm)	227(H)×148(V)×53.7(D)
OS	Windows Compact 7 (CE7)

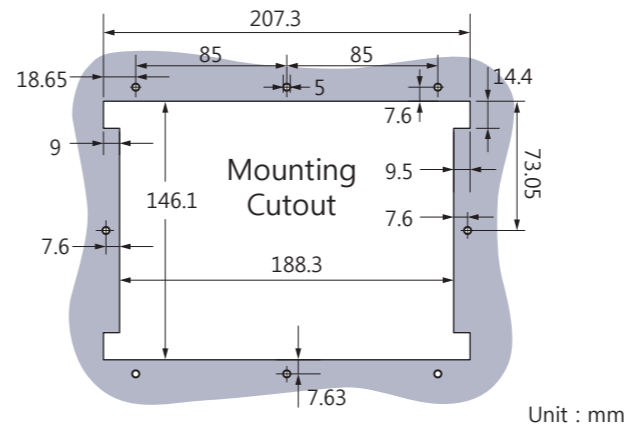


Specifications	
Display	8inch(800×600)
CPU	Cortex-A9 Dual 1,000MHz
Memory	DRAM 512MB DDR3, NAND Flash 512MB
Serial Port	4 Ports(RS-232C 3 Ports, RS-485/232C 1 Port)
USB	USB Host 2 Ports, USB Device 1 Port
HDMI	1 Port
Extension Port	GPIO(16EA), PWM(2ch), A/D Converter(4ch)
Audio	Speaker embedded, Stereo audio output(ø3.5)
Ethernet	1 Port (Gigabit)
SD Card	1 Slot (up to 32GB)
Touch Screen	4-wire resistive
Voltage	DC 9~24V
Power consumption	7W
Operating Temperature	-10~70°C
Dimension(mm)	213(H)×172.5(V)×42.2(D)
OS	Windows Compact 7 (CE7)

Related Product



ATS-M1000DA07W-1  
7" Display Open Frame  
Touch Panel Computer

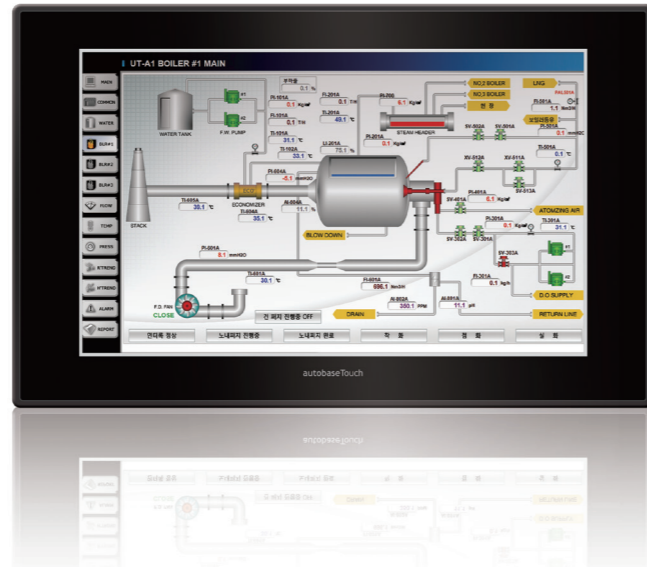


Related Product

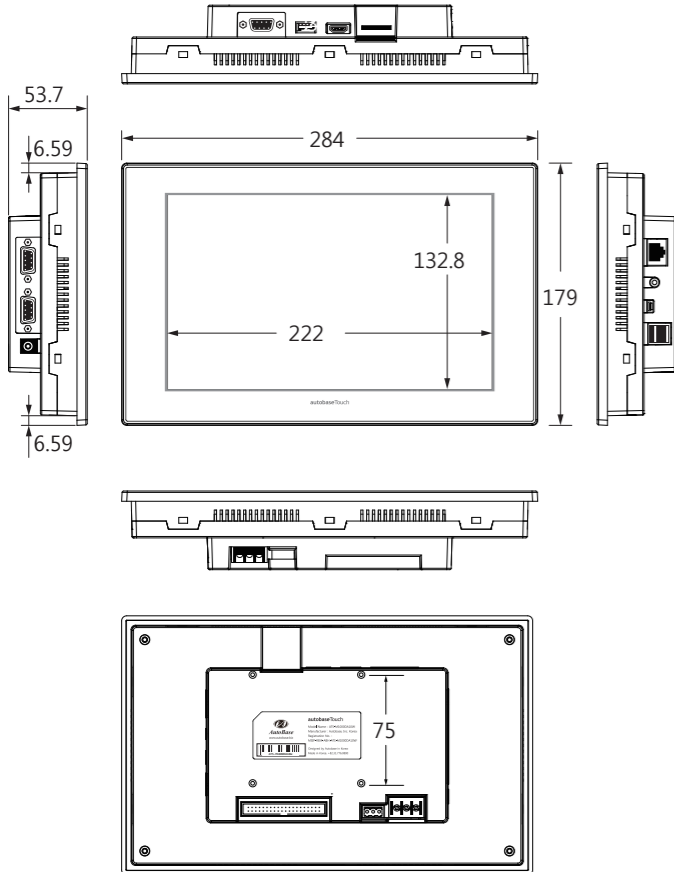


ATS-M1000DA08B-1  
8" Display Open Frame  
Touch Panel Computer

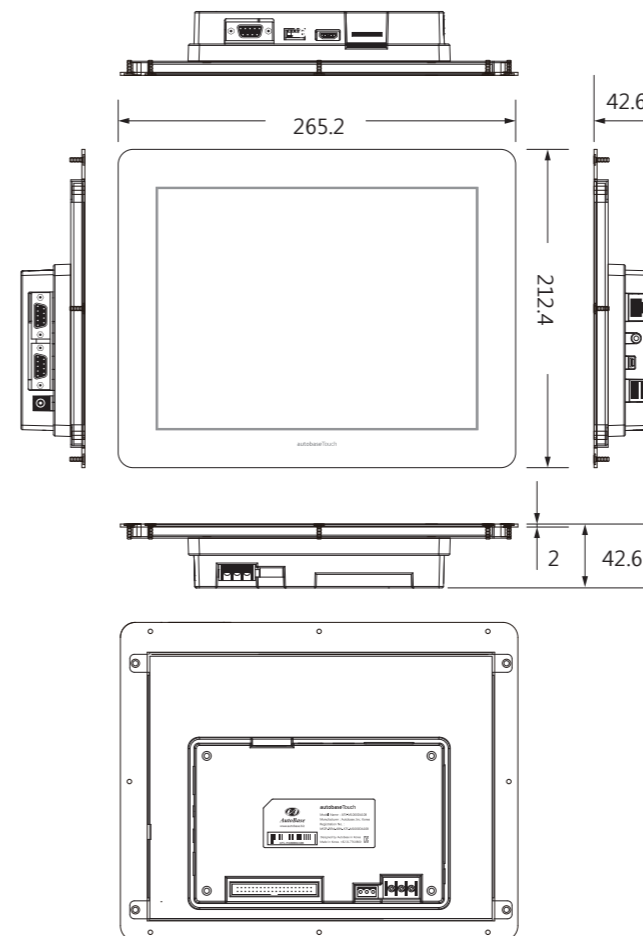
Touch Panel  
**10.2"**  
ATS-M1000DA10W



Touch Panel  
**10.4"**  
ATS-M1000DA10B



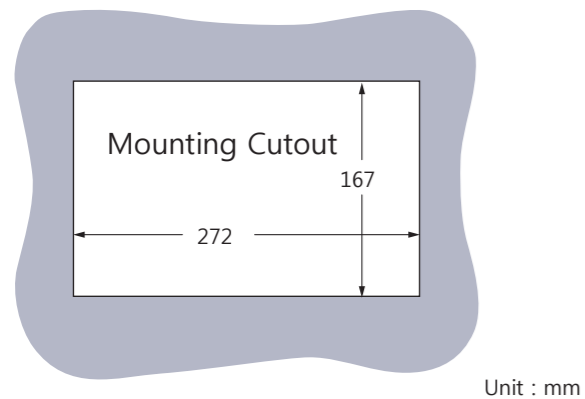
Specifications	
Display	10.2inch(800×480)
CPU	Cortex-A9 Dual 1,000MHz
Memory	DRAM 512MB DDR3, NAND Flash 512MB
Serial Port	4 Ports(RS-232C 3 Ports, RS-485/232C 1 Port)
USB	USB Host 2 Ports, USB Device 1 Port
HDMI	1 Port
Extension Port	GPIO(16EA), PWM(2ch), A/D Converter(4ch)
Audio	Speaker embedded, Stereo audio output(ø3.5)
Ethernet	1 Port (Gigabit)
SD Card	1 Slot (up to 32GB)
Touch Screen	4-wire resistive
Voltage	DC 9~24V
Power consumption	7W
Operating Temperature	-10~70°C
Dimension(mm)	284(H)×179(V)×53.7(D)
OS	Windows Compact 7 (CE7)



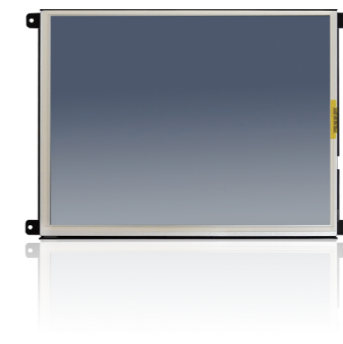
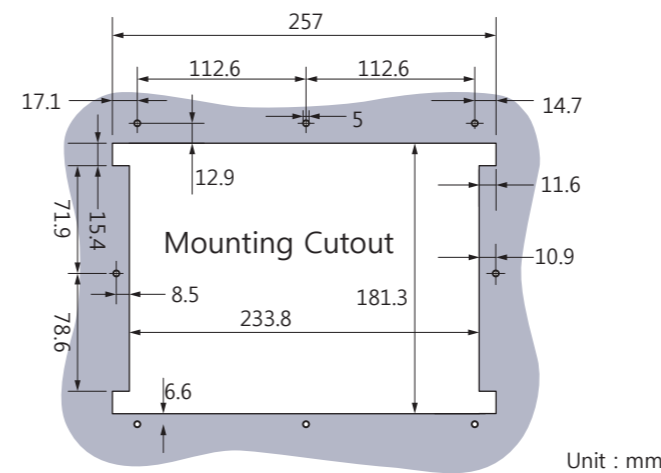
Specifications	
Display	10.4inch(800×600)
CPU	Cortex-A9 Dual 1,000MHz
Memory	DRAM 512MB DDR3, NAND Flash 512MB
Serial Port	4 Ports(RS-232C 3 Ports, RS-485/232C 1 Port)
USB	USB Host 2 Ports, USB Device 1 Port
HDMI	1 Port
Extension Port	GPIO(16EA), PWM(2ch), A/D Converter(4ch)
Audio	Speaker embedded, Stereo audio output(ø3.5)
Ethernet	1 Port (Gigabit)
SD Card	1 Slot (up to 32GB)
Touch Screen	4-wire resistive
Voltage	DC 9~24V
Power consumption	7W
Operating Temperature	-10~70°C
Dimension(mm)	265.2(H)×212.4(V)×42.6(D)
OS	Windows Compact 7 (CE7)

Related Product

Related Product



ATS-M1000DA10W-1  
10.2" Display Open Frame  
Touch Panel Computer

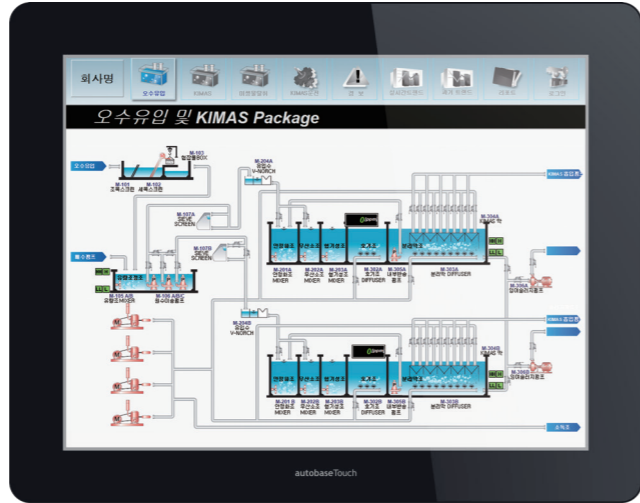


ATS-M1000DA10B-1  
10.4" Display Open Frame  
Touch Panel Computer

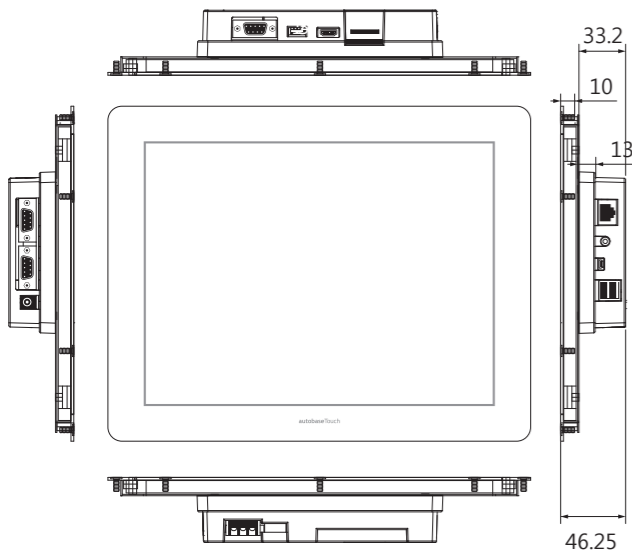
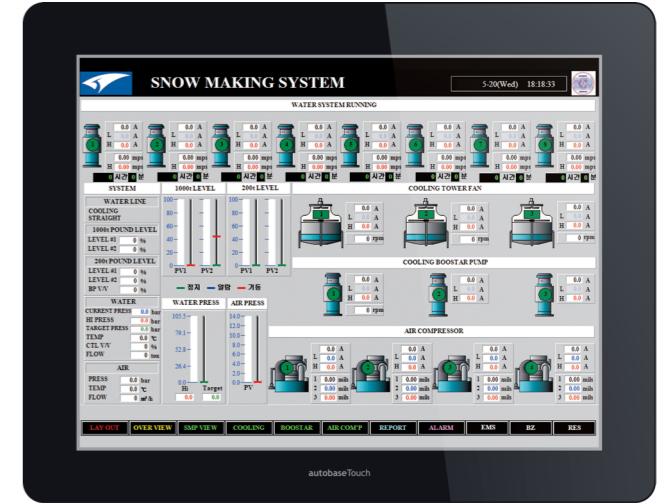
Unit : mm

Unit : mm

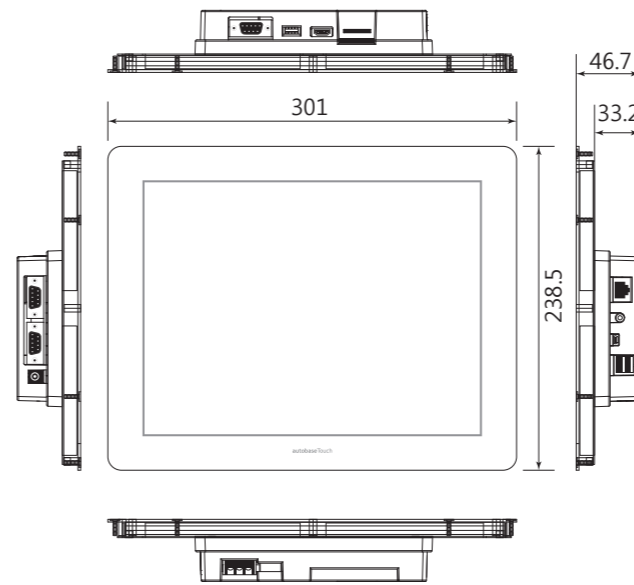
Touch Panel  
**12.1"**  
ATS-M1000DA12B



Touch Panel  
**12.1"**  
ATS-M1000DA12B2



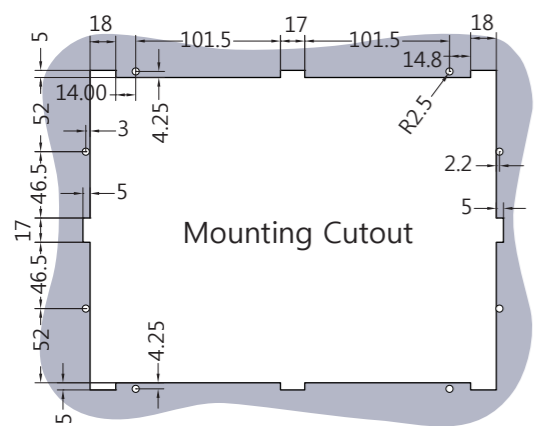
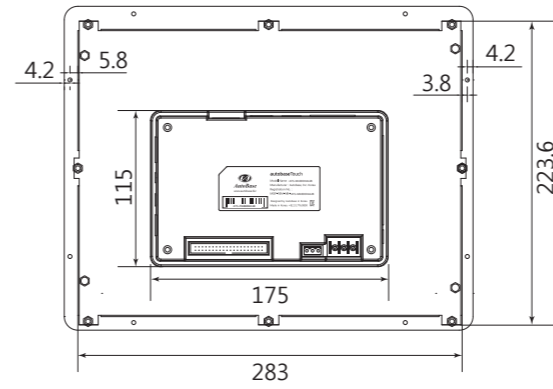
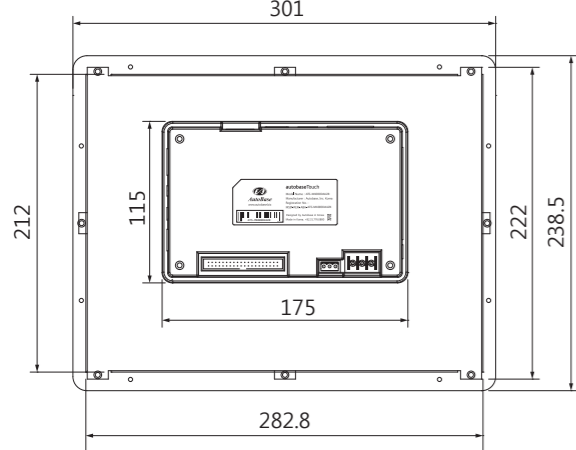
Specifications	
Display	12.1inch(800×600)
CPU	Cortex-A9 Dual 1,000MHz
Memory	DRAM 512MB DDR3, NAND Flash 512MB
Serial Port	4 Ports(RS-232C 3 Ports, RS-485/232C 1 Port)
USB	USB Host 2 Ports, USB Device 1 Port
HDMI	1 Port
Extension Port	GPIO(16EA), PWM(2ch), A/D Converter(4ch)
Audio	Speaker embedded, Stereo audio output(ø3.5)
Ethernet	1 Port (Gigabit)
SD Card	1 Slot (up to 32GB)
Touch Screen	4-wire resistive
Voltage	DC 12~24V
Power consumption	9W
Operating Temperature	-10~70°C
Dimension(mm)	301(H)×238.5(V)×46.25(D)
OS	Windows Compact 7 (CE7)



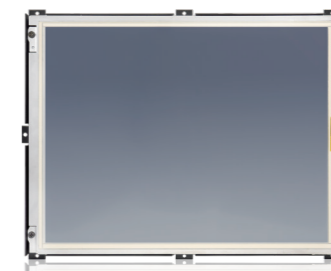
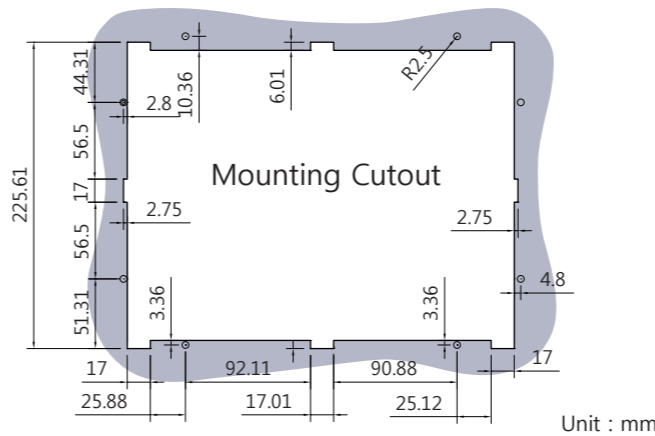
Specifications	
Display	12.1inch(1024×768)
CPU	Cortex-A9 Dual 1,000MHz
Memory	DRAM 512MB DDR3, NAND Flash 512MB
Serial Port	4 Ports(RS-232C 3 Ports, RS-485/232C 1 Port)
USB	USB Host 2 Ports, USB Device 1 Port
HDMI	1 Port
Extension Port	GPIO(16EA), PWM(2ch), A/D Converter(4ch)
Audio	Speaker embedded, Stereo audio output(ø3.5)
Ethernet	1 Port (Gigabit)
SD Card	1 Slot (up to 32GB)
Touch Screen	4-wire resistive
Voltage	DC 12~24V
Power consumption	9W
Operating Temperature	-10~70°C
Dimension(mm)	301(H)×238.5(V)×46.7(D)
OS	Windows Compact 7 (CE7)

Related Product

Related Product



ATS-M1000DA12B-1  
12.1"(800×600) Open Frame  
Touch Panel Computer



ATS-M1000DA12B2-1  
12.1"(1024×768) Open Frame  
Touch Panel Computer

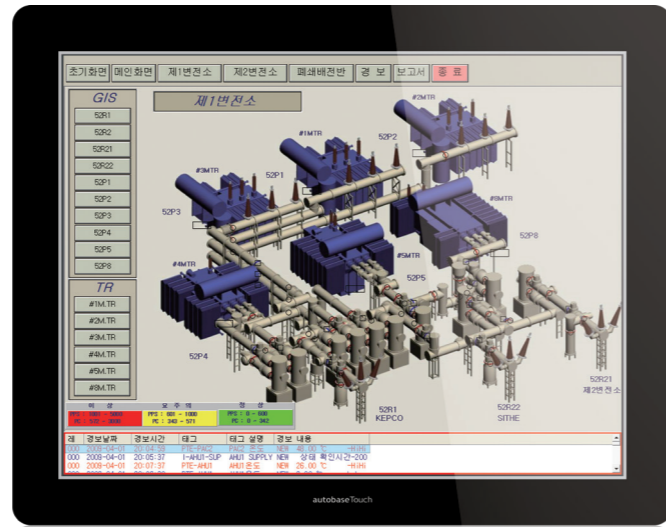
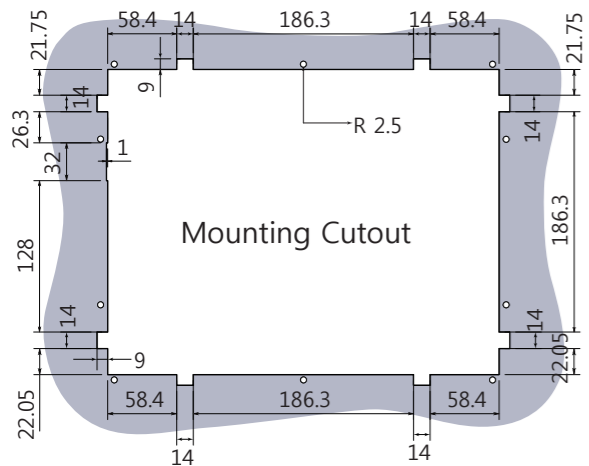
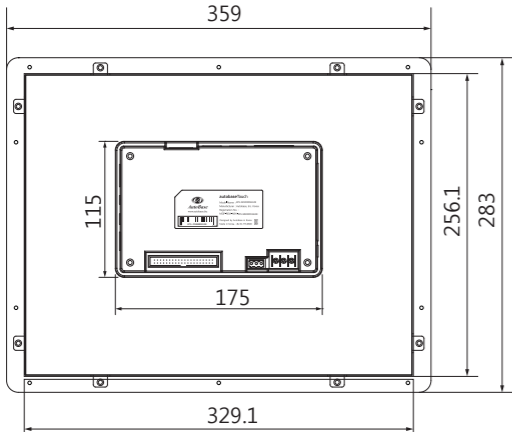
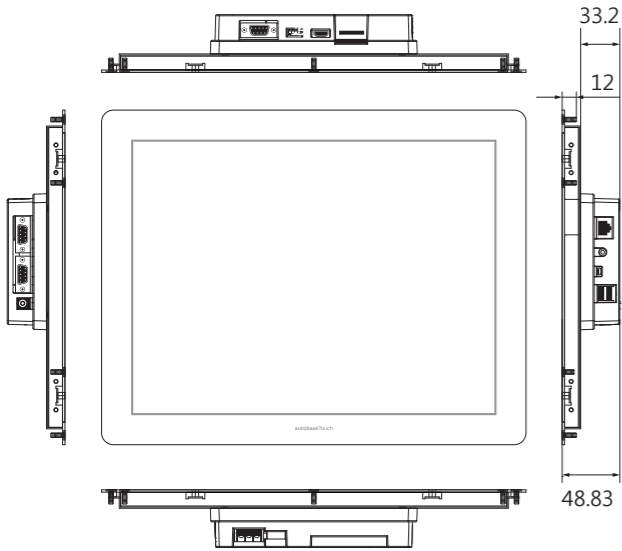
Unit : mm

Unit : mm

Touch Panel

15"

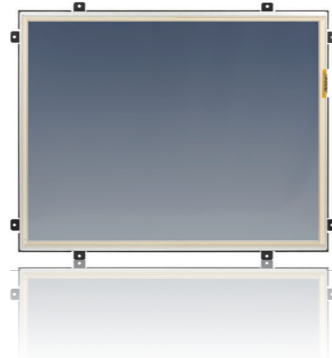
ATS-M1000DA15B



Specifications

Display	15inch(1024×768)
CPU	Cortex-A9 Dual 1,000MHz
Memory	DRAM 512MB DDR3, NAND Flash 512MB
Serial Port	4 Ports(RS-232C 3 Ports, RS-485/232C 1 Port)
USB	USB Host 2 Ports, USB Device 1 Port
HDMI	1 Port
Extension Port	GPIO(16EA), PWM(2ch), A/D Converter(4ch)
Audio	Speaker embedded, Stereo audio output(ø3.5)
Ethernet	1 Port (Gigabit)
SD Card	1 Slot (up to 32GB)
Touch Screen	4-wire resistive
Voltage	DC 12~24V
Power consumption	13W
Operating Temperature	-10~70°C
Dimension(mm)	359(H)×283(V)×48.83(D)
OS	Windows Compact 7 (CE7)

Related Product



ATS-M1000DA15B-1  
15" Display Open Frame  
Touch Panel Computer

Coming Soon

5.6"

ATS-M1000DA05B



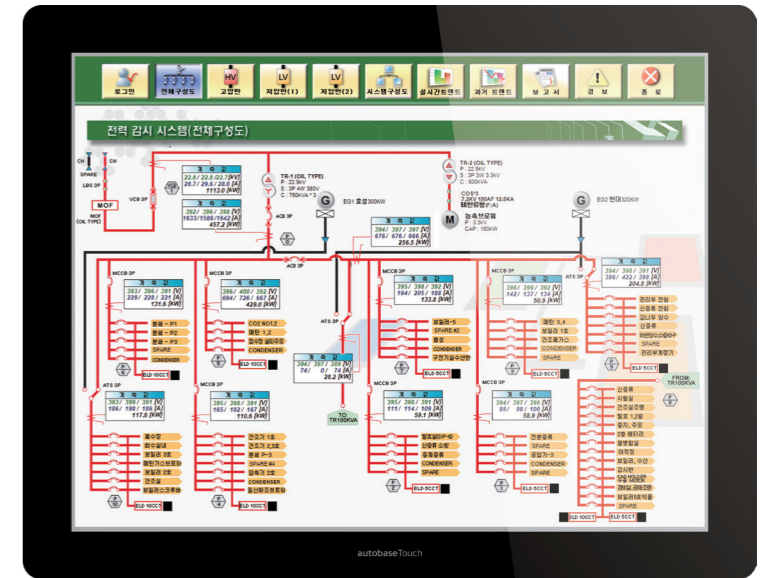
Specifications

Display	5.6inch(640×480)
Main Board	AB-M1000DA5
OS	Windows Compact 7 (CE7)

Coming Soon

17"

ATS-M1000DA17B



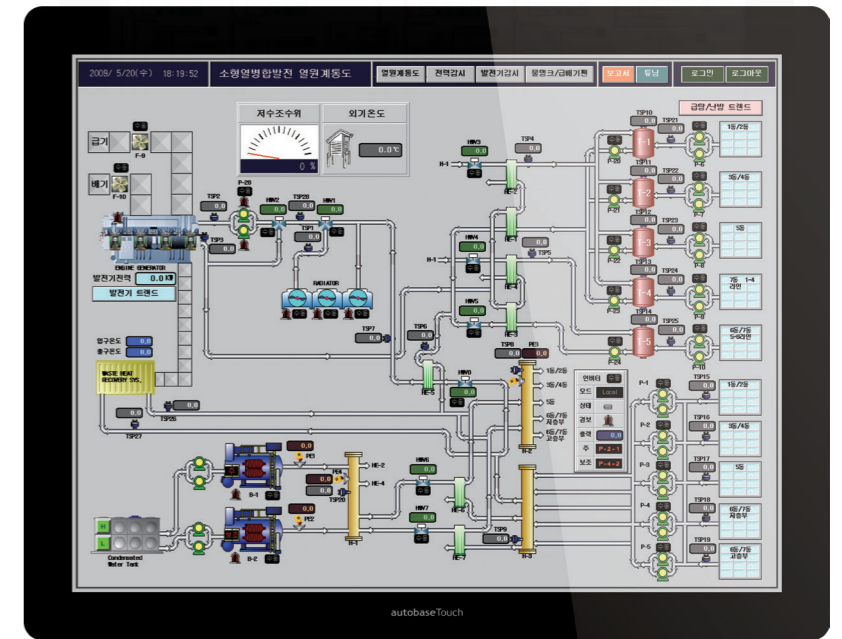
Specifications

Display	17inch(1024×768)
Main Board	AB-M1000DA7
OS	Windows Compact 7 (CE7)

Coming Soon

19"

ATS-M1000DA19B



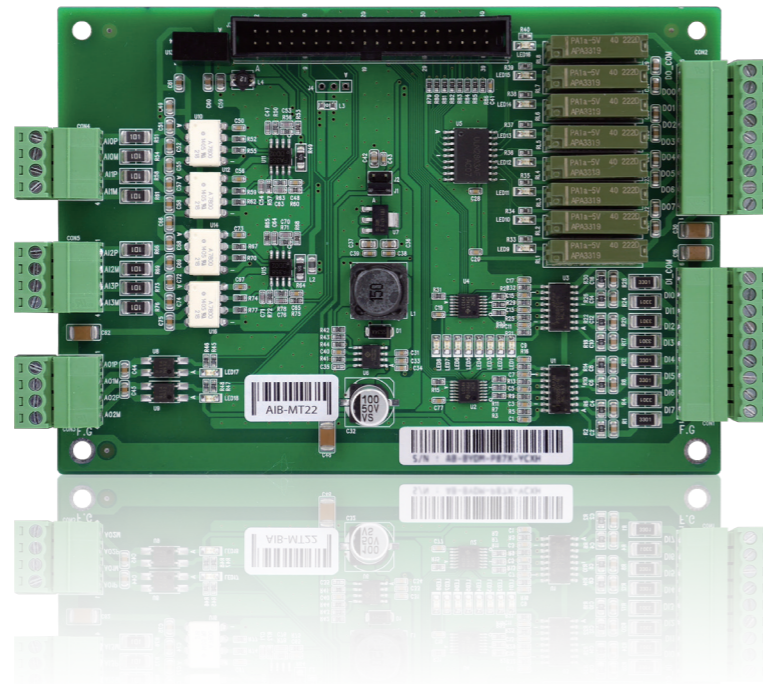
Specifications

Display	19inch(1280×1024)
Main Board	AB-M1000DA7
OS	Windows Compact 7 (CE7)

Extension I/O Board

22ch

AIB-MT22



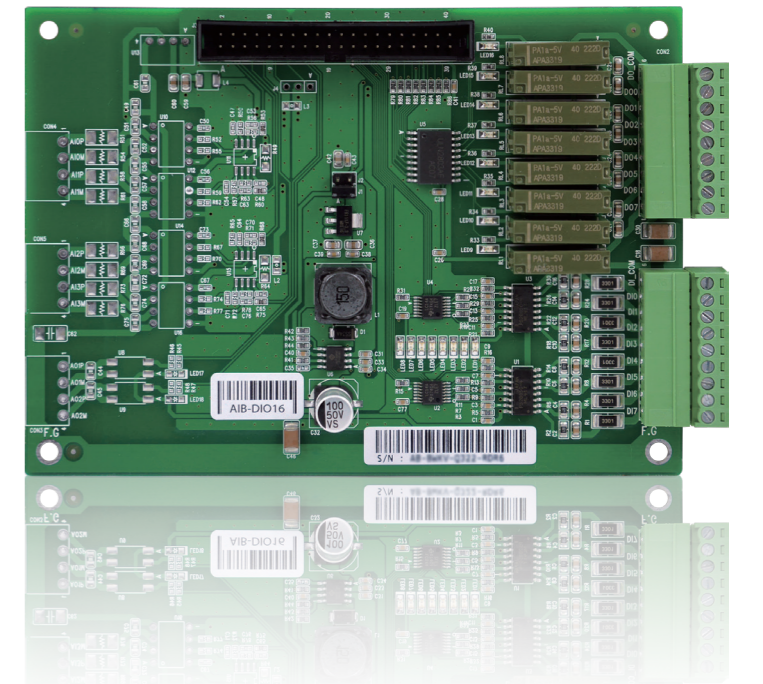
Specifications

Digital Input(DI)	8 Ch
Digital Output(DO)	8 Ch
Analog Input(AI)	4 Ch
PWM Output	2 Ch
Dimension(mm)	156.8(H)×100(V)×14.4(D)

Extension I/O Board

16ch

AIB-DIO16



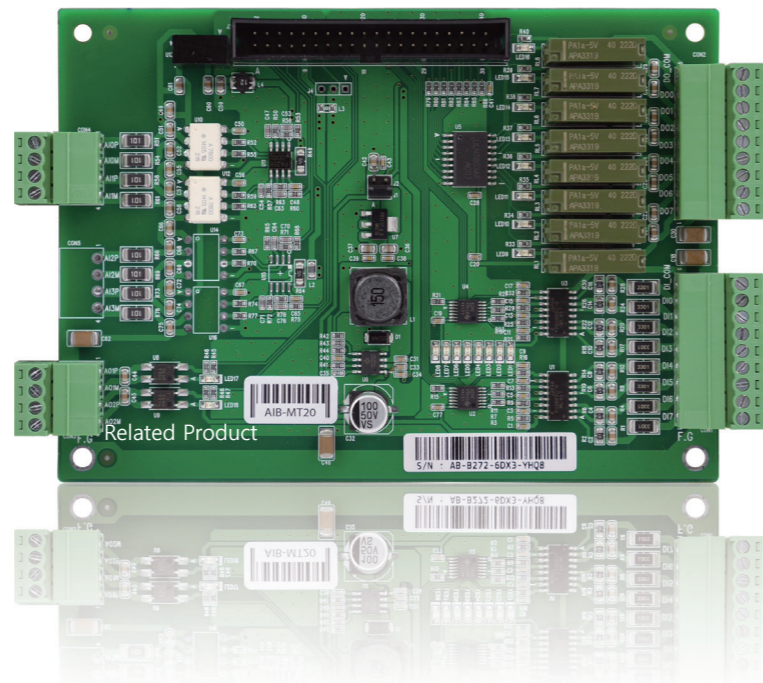
Specifications

Digital Input(DI)	8 Ch
Digital Output(DO)	8 Ch
Analog Input(AI)	-
PWM Output	-
Dimension(mm)	148.4(H)×100(V)×14.4(D)

Extension I/O Board

20ch

AIB-MT20



Specifications

Digital Input(DI)	8 Ch
Digital Output(DO)	8 Ch
Analog Input(AI)	2 Ch
PWM Output	2 Ch
Dimension(mm)	156.8(H)×100(V)×14.4(D)

Simple, easy and stable control

AIB Series extension I/O boards are Input/Output boards to be connected to ATS-M1000 series. Economical price and simple structure make easy to apply to your system.

▼ ATS-M1000 series Extension I/O

